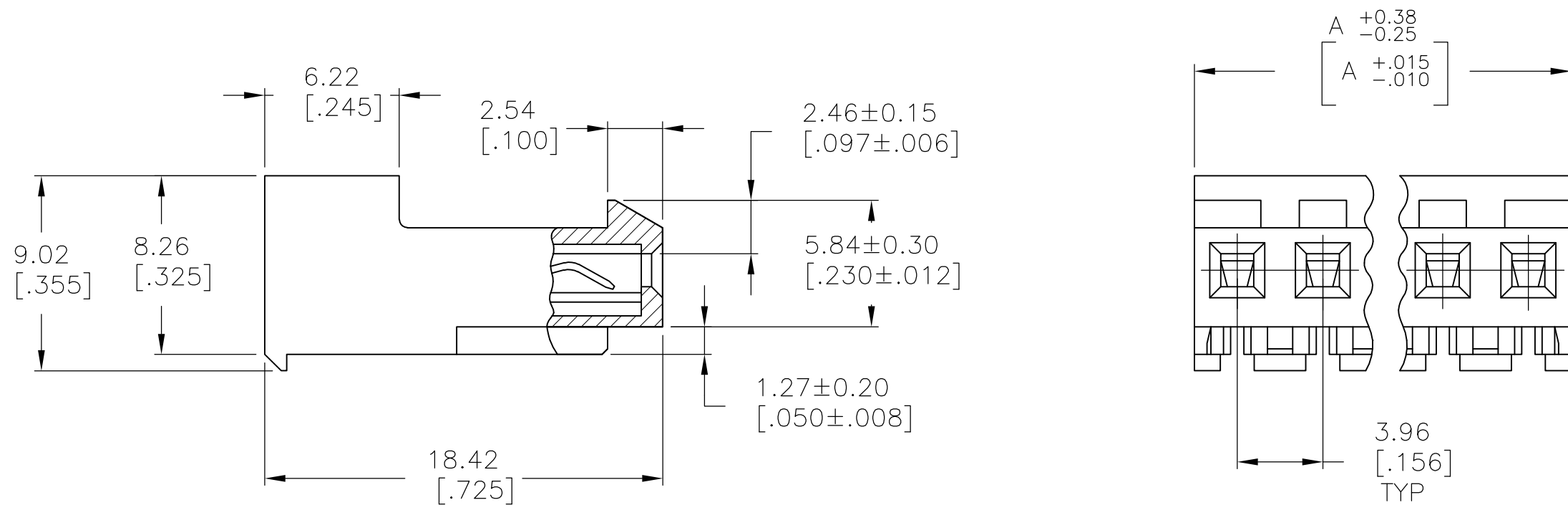
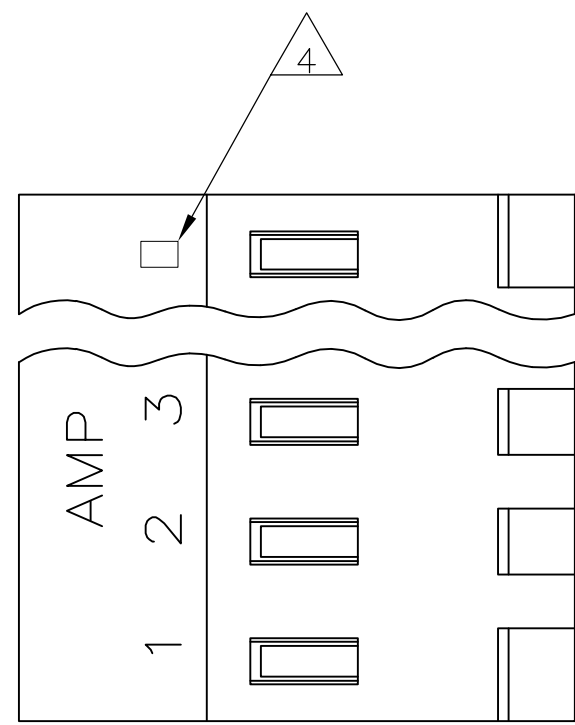


THIS DRAWING IS UNPUBLISHED. RELEASED FOR PUBLICATION  
 © COPYRIGHT BY TYCO ELECTRONICS CORPORATION. ALL RIGHTS RESERVED.

LOC	DIST	REVISIONS					
CM	54	P	LTR	DESCRIPTION	DATE	DWN	APVD
		P		ECO-07-012873	15JUN07	KW	DB



95.10	[3.744]	24	5-641219-4
91.14	[3.588]	23	5-641219-3
87.17	[3.432]	22	5-641219-2
83.21	[3.276]	21	5-641219-1
79.25	[3.120]	20	5-641219-0
75.29	[2.964]	19	4-641219-9
71.32	[2.808]	18	4-641219-8
67.36	[2.652]	17	4-641219-7
63.40	[2.496]	16	4-641219-6
59.44	[2.340]	15	4-641219-5
55.47	[2.184]	14	4-641219-4
51.51	[2.028]	13	4-641219-3
47.55	[1.872]	12	4-641219-2
43.59	[1.716]	11	4-641219-1
39.62	[1.560]	10	4-641219-0
35.66	[1.404]	9	3-641219-9
31.70	[1.248]	8	3-641219-8
27.74	[1.092]	7	3-641219-7
23.77	[.936]	6	3-641219-6
19.81	[.780]	5	3-641219-5
15.85	[.624]	4	3-641219-4
11.89	[.468]	3	3-641219-3
7.92	[.312]	2	3-641219-2
95.10	[3.744]	24	2-641219-4
91.14	[3.588]	23	2-641219-3
87.17	[3.432]	22	2-641219-2
83.21	[3.276]	21	2-641219-1
79.25	[3.120]	20	2-641219-0
75.29	[2.964]	19	1-641219-9
71.32	[2.808]	18	1-641219-8
67.36	[2.652]	17	1-641219-7
63.40	[2.496]	16	1-641219-6
59.44	[2.340]	15	1-641219-5
55.47	[2.184]	14	1-641219-4
51.51	[2.028]	13	1-641219-3
47.55	[1.872]	12	1-641219-2
43.59	[1.716]	11	1-641219-1
39.62	[1.560]	10	1-641219-0
35.66	[1.404]	9	641219-9
31.70	[1.248]	8	641219-8
27.74	[1.092]	7	641219-7
23.77	[.936]	6	641219-6
19.81	[.780]	5	641219-5
15.85	[.624]	4	641219-4
11.89	[.468]	3	641219-3
7.92	[.312]	2	641219-2
DIM A		NO OF CIRCUITS	PART NO

- 1 MATERIAL: CONNECTOR - NYLON UL94V-2 (RED).  
CONTACTS - 0.30[.012] THICK COPPER ALLOY  
0.00076 [.000030] GOLD IN CONTACT  
AREA WITH BRIGHT TIN-LEAD FOR  
641219-2 THRU 2-641219-4,  
MATTE WHISKER MITIGATED TIN FOR  
3-641219-2 THRU 5-641219-4  
OVER NICKEL UNDERPLATE.
- 2. CONTACTS ACCEPT 22 AWG WIRE WITH 2.41[.095] MAX  
INSULATION DIAMETER.
- 3. CONTACTS MUST ACCEPT 1.14±0.03 [.045±.001] SQUARE  
POST AND REMAIN LOCKED IN POSITION.
- 4 IDENTIFICATION NUMBER FOR LAST CIRCUIT MAY  
NOT APPEAR ON ALL ASSEMBLIES.
- 5. DIMENSIONS IN BRACKETS ARE IN INCHES.
- 6. HOUSING FEATURES ARE: CLOSED END WITH LOCKING  
RAMP.

**METRIC**

THIS DRAWING IS A CONTROLLED DOCUMENT.		DWN B. LEWIS 12 FEB 91	Tyco Electronics Corporation Harrisburg, Pa 17105-3608	
DIMENSIONS: mm [INCHES]		CHK R. SWING 12 FEB 91	Tyco Electronics Corporation	
TOLERANCES UNLESS OTHERWISE SPECIFIED:		APVD D. CLARK 20 FEB 91	NAME	
0 PLC ± -		PRODUCT SPEC		
1 PLC ± -		108-1051		
2 PLC ± -		APPLICATION SPEC		
3 PLC ± -		114-1020		
4 PLC ± -		WEIGHT		
ANGLES ± -		SIZE CAGE CODE DRAWING NO RESTRICTED TO		
FINISH		A2 00779 C=641219		
MATERIAL		CUSTOMER DRAWING SCALE 4:1 SHEET 1 OF 1 REV P		